



## EC TYPE-EXAMINATION CERTIFICATE (EC Directive 89/686/EEC)

**Notified body number: 2019**

NOTIFIED UNDER ARTICLE 9 OF EC DIRECTIVE 89/686/EEC

**Certificate No:** EC48765

Issue 1 20 December 2011

Certified since: 20 December 2011

**Issued to:**

**Portwest Clothing Ltd.**

**Portwest China.**

Fields End Business Park,  
Thurnscoe,  
South Yorkshire,  
S63 0JF  
United Kingdom.

No 29 JuYuanZhou Industrial 4<sup>th</sup> Floor  
618 Jinshan Road  
Jin Shan, Fuzhou, Fujian  
China P.C. 350003.

It is certified that the manufacturer's technical file and the PPE detailed below have been assessed and found to be in accordance with EC Directive 89/686/EEC.

PPE Product:

**Portwest Style C494 high visibility waistcoat** constructed from warp knitted polyester fabric (124 g/m<sup>2</sup>) with a polyester mesh fabric (115 g/m<sup>2</sup>) on the upper body. The garment has two sewn on retroreflective horizontal bands encircling the torso. The waist coat is available in both Orange and Yellow in four nominal sizes the smallest being S/M.

When examined the PPE satisfied the relevant requirements in the harmonized standards,

EN 471:2003 A1:2007 Class 1, 2

The manufacturer's information notice (EN471 version 3) detailed within technical file C494 Revision 4 in English have been assessed and found to have addressed all of the relevant requirements of the standards. However the detailed content of the notice is the responsibility of the manufacturer as are translations into other languages.

**CE**  
**2019**

Authorised by:  
G Briggs  
Head of Laboratory

- ❖ This Certificate remains the property of West Yorkshire Materials Testing Service whom it must be returned to on request.
- ❖ This certificate is only valid if the seal is stamped.





## EC TYPE-EXAMINATION CERTIFICATE (EC Directive 89/686/EEC)

**Notified body number: 2019**

NOTIFIED UNDER ARTICLE 9 OF EC DIRECTIVE 89/686/EEC

**Certificate No:** EC48765

Issue 1 20 December 2011

Certified since: 20 December 2011

**Issued to:**

**Portwest Clothing Ltd.**

**Portwest China.**

Fields End Business Park,  
Thurnscoe,  
South Yorkshire,  
S63 0JF  
United Kingdom.

No 29 JuYuanZhou Industrial 4<sup>th</sup> Floor  
618 Jinshan Road  
Jin Shan, Fuzhou, Fujian  
China P.C. 350003.

**ALL TEST DOCUMENTS MUST BE INCLUDED IN THE TECHNICAL FILE**

Requirement	Assessment	Technical Documentation
Technical File	Technical file in order with PPE Directive (89/686/EEC)	Portwest technical file C494 Revision 4 dated 10/02/10 update 14/12/11. and supplements.
EN 340 Innocuousness	Garment meets all requirements	Oekotex Certificate 11-23395
EN 340 Ergonomics and sizing, and EN471 Design assessment.	Garment meets all requirements, with size medium achieving Class 2	Sample Garment size S/M assessed 15/11/11.
EN 471	Background fabric meets EN471	BTTG 13022/00279/PJH BTTG 12703/00262/JS SGS SHSL111226482TX SGS SHSL111226482TX TUV 15037558 001
EN 471	Retro -reflective Tape Class 2	Satra SPC0178798 2 0940 Satra SPC0178754 0939 001 TUV Z2 0501 55790 004 SGS HZ 927337/TX
Product Markings	Marking meets the requirements of EN 340:2003	Detailed within technical file

*Authorised by:*  
G Briggs  
Head of Laboratory

**CE**  
**2019**

❖ This Certificate remains the property of West Yorkshire Materials Testing Service whom it must be returned to on request.

❖ This certificate is only valid if the seal is stamped.





## EC TYPE-EXAMINATION CERTIFICATE (EC Directive 89/686/EEC)

**Notified body number: 2019**

NOTIFIED UNDER ARTICLE 9 OF EC DIRECTIVE 89/686/EEC

**Certificate No:** EC48765

Issue 1 20 December 2011

Certified since: 20 December 2011

**Issued to:**

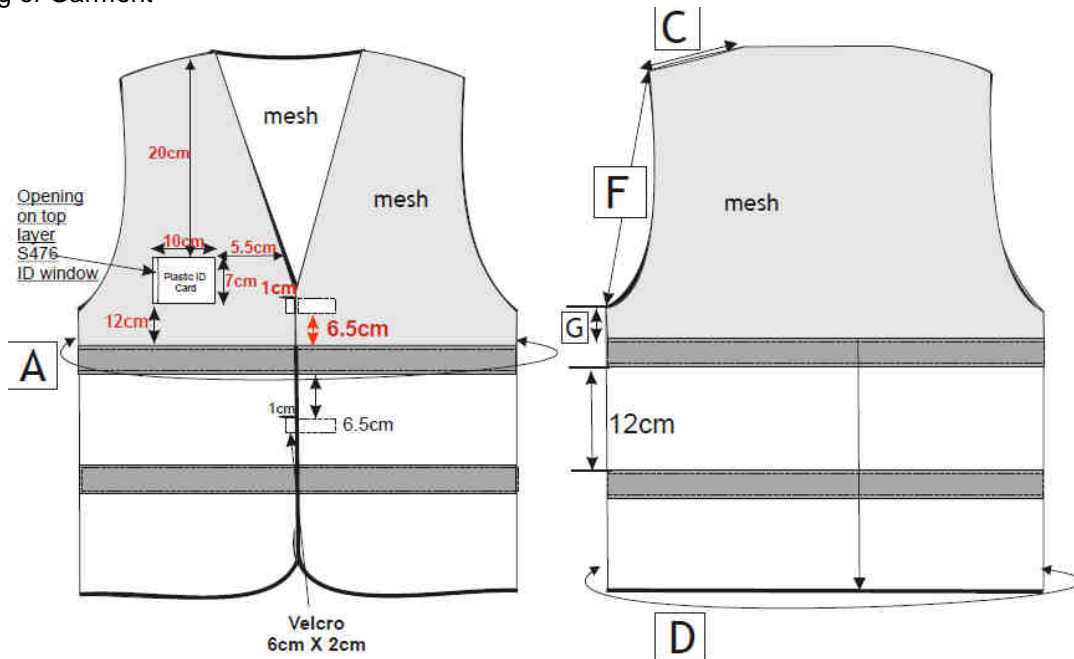
**Portwest Clothing Ltd.**

**Portwest China.**

Fields End Business Park,  
Thurnscoe,  
South Yorkshire,  
S63 0JF  
United Kingdom.

No 29 JuYuanZhou Industrial 4<sup>th</sup> Floor  
618 Jinshan Road  
Jin Shan, Fuzhou, Fujian  
China P.C. 350003.

Drawing of Garment



**CE**  
**2019**

Authorised by:  
G Briggs  
Head of Laboratory

❖ This Certificate remains the property of West Yorkshire Materials Testing Service whom it must be returned to on request.

❖ This certificate is only valid if the seal is stamped.

